



PASVE® BA is a ball-type mounting & service valve for SATRON VL- and VDtL - pressure and differential pressure transmitters and also for Satron HPS hydraulic pressure seals. **PASVE® BA** makes it simple to disconnect the transmitter from the process for checking, changing the transmitter, flushing and calibration without stopping the process. **PASVE® BA** is available in a manually operated type or equipped with a pneumatic actuator.

TECHNICAL SPECIFICATIONS

Transmitter connection

M45x2 female thread, suitable for SATRON VL- and VDtL-transmitters and for Satron HPS hydraulic pressure seals.

Max. operating pressure/temperature

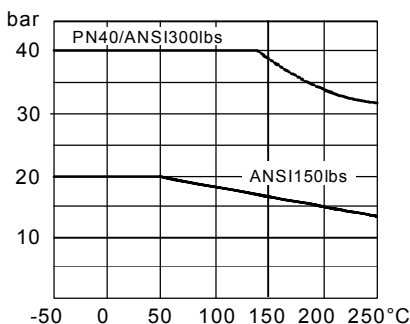
Pressure 40 bar, temperature 250 °C, (see the appended table).
Min. operating temp. -50 °C.

Materials

Wetted parts : AISI316L, AISI904L, Duplex, Hastelloy C276, Titanium, 254 SMO. Seals PTFE or PTFE with carbon and graphite filling.

Weight

PASVE BA C 4,3 kg, **PASVE BA P** 4,2 kg,
PASVE BA F 8,4 kg, Actuator 5,5 kg

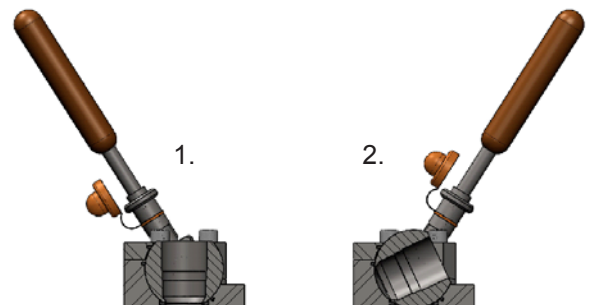


Selection table

PASVE BA		<input type="checkbox"/>	<input type="checkbox"/>	<input type="checkbox"/>	<input type="checkbox"/>	<input type="checkbox"/>	<input type="checkbox"/>	<input type="checkbox"/>	<input type="checkbox"/>	
Mounting										
Wetted parts (C and P)										
	Code	Material								
C	On container 2	AISI316L (std.)								
P	On pipe 3	Hastelloy C								
	4	AISI904L								
	6	Titanium								
	8	Duplex (EN 1.4462)								
	K	254 SMO								
F Flange										
Flanges		Wetted parts								
Code	Type	Code	Material							
D	DN80 PN40	2	AISI316L							
J	DN100 PN10/16	3	Hastelloy® C276							
C	DN100 PN40	4	AISI904L							
A	ANSI 3"/150 lbs	6	Titanium							
B	ANSI 3"/300 lbs	8	Duplex (EN 1.4462)							
H	ANSI 4"/150 lbs	K	254 SMO							
G	ANSI 4"/300 lbs									
Seals										
0	PTFE + 20C + 5Gr (std.)									
1	PTFE 100%									
4	PTFE + 20C + 5Gr / AISI316 / PTFE 50 % (Hard)									
5	PTFE 100% / AISI316 / PTFE 50% (Hard)									
6	PTFE 100% / PVDF 100% (Hard)									
Pt100 Temperature transmitter										
0	No sensor									
X	With sensor (-50...+200 °C)									
Actuator										
MD	No actuator (manually operated)		AE1	Electric actuator 230 V						
AD_	Double-action actuator		AE3	Electric actuator 115 V						
AS_	Spring-return actuator									
Solenoid valve type (for codes AD and AS only)										
0_	No solenoid valve			4_	28 V DC 0.4 W (only EEx ia)					
1_	230 V AC 50 Hz 2 W (std.)									
2_	24 V DC 2.5 W (also EEx dm)									
3_	115 V AC 60 Hz 2 W									
Solenoid explosion proof										
0	No explosion proof			3	EEx dm IIC T5/T6					
1	EEx m II T4									
2	EEx ia IIC T6									
Position switches										
0	None		A	Position switch EEx ib IIC T5/T6						
X	Equipped with position switches									
E	Position switch NAMUR, DIN 19234									
Options										
Z1	Oxygen wash			Z4	Cutting ball					
Z2	Process side flushing			Z5	Diamond-coated ball					
Dokumentit										
E	English			IF	Finnish					
Material certificates										
0	No material certificate			MC2	SFS-EN 10204-2.2 (DIN50049-2.2)					
MC1	SFS-EN 10204-2.1 (DIN50049-2.1)			MC3	SFS-EN 10204-3.1B (DIN50049-3.1B)					
Specification example: PASVE BA FD200AD10XIEMC1										

WORKING POSITIONS

1. Transmitter in measuring
2. Transmitter can be checked, changed, calibrated or the transmitter diaphragm can be flushed

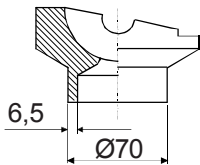
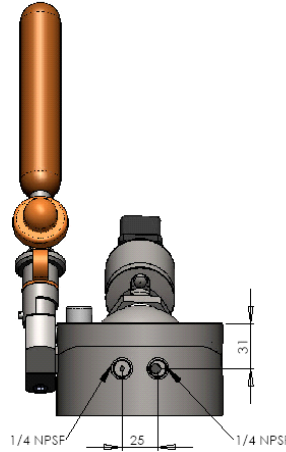
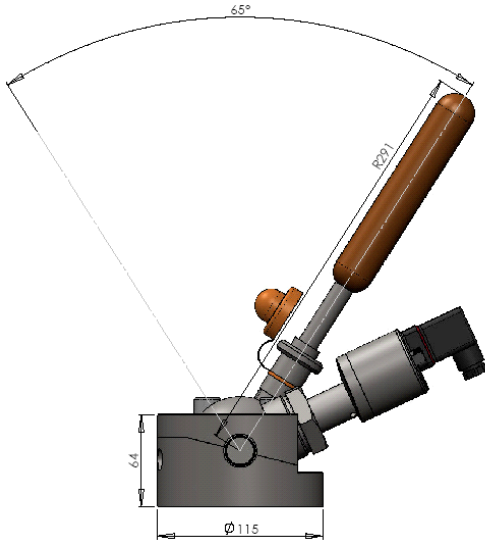


Dimensions (mm)

Manually operated

PASVE BA C

Welded on container

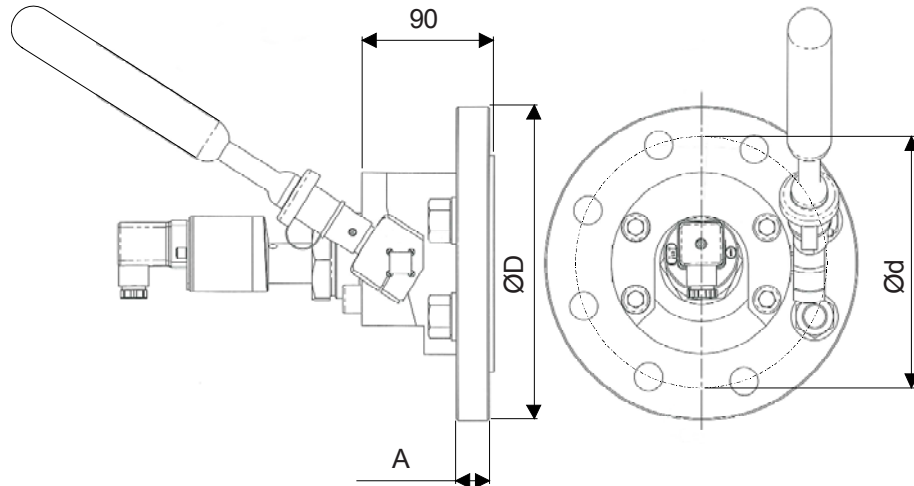


PASVE BA P

Welded on pipe

PASVE BA F-(a)

Flange type



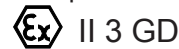
Flange (a)		Ø D	Ø d	A
Code	Type			
A	ANSI 3" 150 lbs	191	152.4	22
B	ANSI 3" 300 lbs	210	168.3	27
H	ANSI 4" 150 lbs	229	190.5	26
G	ANSI 4" 300 lbs	254	200	29
D	DN80 PN40	200	160	22
J	DN100 PN10/16	220	180	22
C	DN100 PN40	235	190	26
E	JIS10K 80	185	150	20
F	JIS40K 80	210	170	30

Surface temperature

Ambient temperature °C	Temperature class
70	T6
85	T5
120	T4

European Pressure Equipment Directive (PED) (97/23/EC)
- Sound Engineering Practice

European Certification



We reserve the right for technical modifications without prior notice.

European Directive Information

ATEX directive (94/9/EC)
Satron Instruments Inc. complies with the ATEX directive.

Teflon® is the registered trademark of E.I. du Pont de Nemours & Co.

254 SMO® is the registered trademark of Avesta Polarit AB.

Hastelloy® is the registered trademark of Haynes International.

Pasve® is the registered trademark of Satron Instruments Inc.