

## KATflow 180

### Gas Clamp-On Ultrasonic Flowmeter

#### MEASUREMENT FROM AMMONIA TO XENON

Katronic flowmeters are well established for liquid flow applications and can now be applied for the non-invasive measurement of gases. The new method not only provides measurements at high pressure gas flows but also down to atmospheric conditions even in steel

pipes which was impossible until recently. This unique innovation is achieved through advances in sensor technology, powerful sophisticated electronics, adaptive filtering techniques and innovative signal processing algorithms using Digital Signal Processors (DSP's).



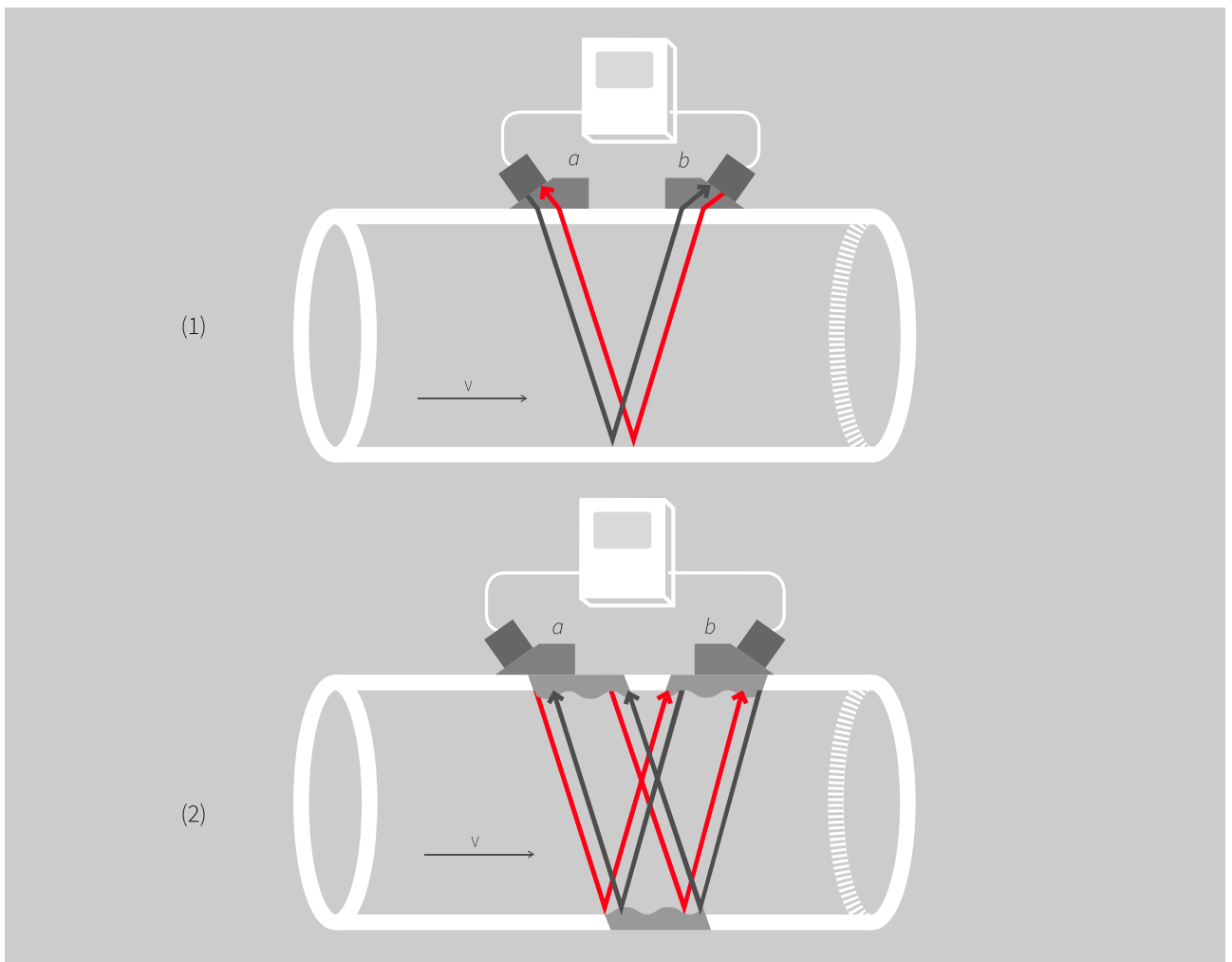
# Katronic

## Your Solution Starts With Our Product

### THE TECHNOLOGY BEHIND THE MEASUREMENT

The non-invasive measurement of gas flow is more difficult than for liquids owing to the high damping characteristics of the gaseous media. These properties mean that traditional transit-time techniques using Shear Wave sensors can only be applied for higher pressure gas pipelines. In order to successfully measure low pressure applications alternative Lamb Wave transducers should be considered instead. This method involves ultrasonic signals being excited into the pipe at the resonance frequency of the pipe wall and material which causes the pipe to become both the transmitting

and sensing device. By operating in this way higher receiving signal amplitudes can be achieved thereby compensating for the signal attenuation of the gas. The active transmission area of the pipe wall created is several times the length of the actual transducer, resulting in broader signal characteristics which allow measurements over a wider range of operating conditions. This is important as temperature, pressure and gas composition can change and the flowmeter needs to be able to adapt to these variations.



Sensors  $a$  and  $b$  work alternately to send and receive ultrasonic pulses. The sound waves  $ab$  travelling with the flow move faster than those travelling against it  $ba$ . Sensor mounting arrangements for Shear Wave (1) and Lamb Wave (2) signal evaluation shown.

Fixed

-40°C +135°C



## SPECIFICATION

- Pipe diameter range 25 mm to 1 500 mm
- Temperature range for safe area sensors -20 °C to +135 °C (-4 °F to 275 °F), for Ex-sensors -40 °C to +80 °C (-40 °F to +176 °F)
- Robust IP 66 unit with OLED display and glass-fronted keypad
- Pressure range 1 bar (absolute) to unlimited maximum
- Flow velocities 0.1 m/s to 75 m/s
- All commonly used pipe materials

## FEATURES

- Suitable for installation in safe and/or hazardous areas
- Shear and Lamb Wave IP 68 stainless steel sensors
- Process output options including current, open-collector, relay
- Communication option Modbus RTU, Modbus TCP/IP
- Inputs for temperature, pressure and gas compressibility factor available
- Web-based data evaluation, instrument setup via wired, wireless or GSM connection

## APPLICATIONS

- Measurement on natural gas pipelines
- Natural gas storage installations
- Control of compressor stations
- Sour gas measurements
- Synthesised gas flow measurements
- Compressed air flow measurements

## MEDIA

Air, argon, carbon monoxide, ethane, ethylene, helium, hydrogen, natural gas, nitrogen, nitrous oxide, oxygen, process gas, propane, saturated steam, sour gas

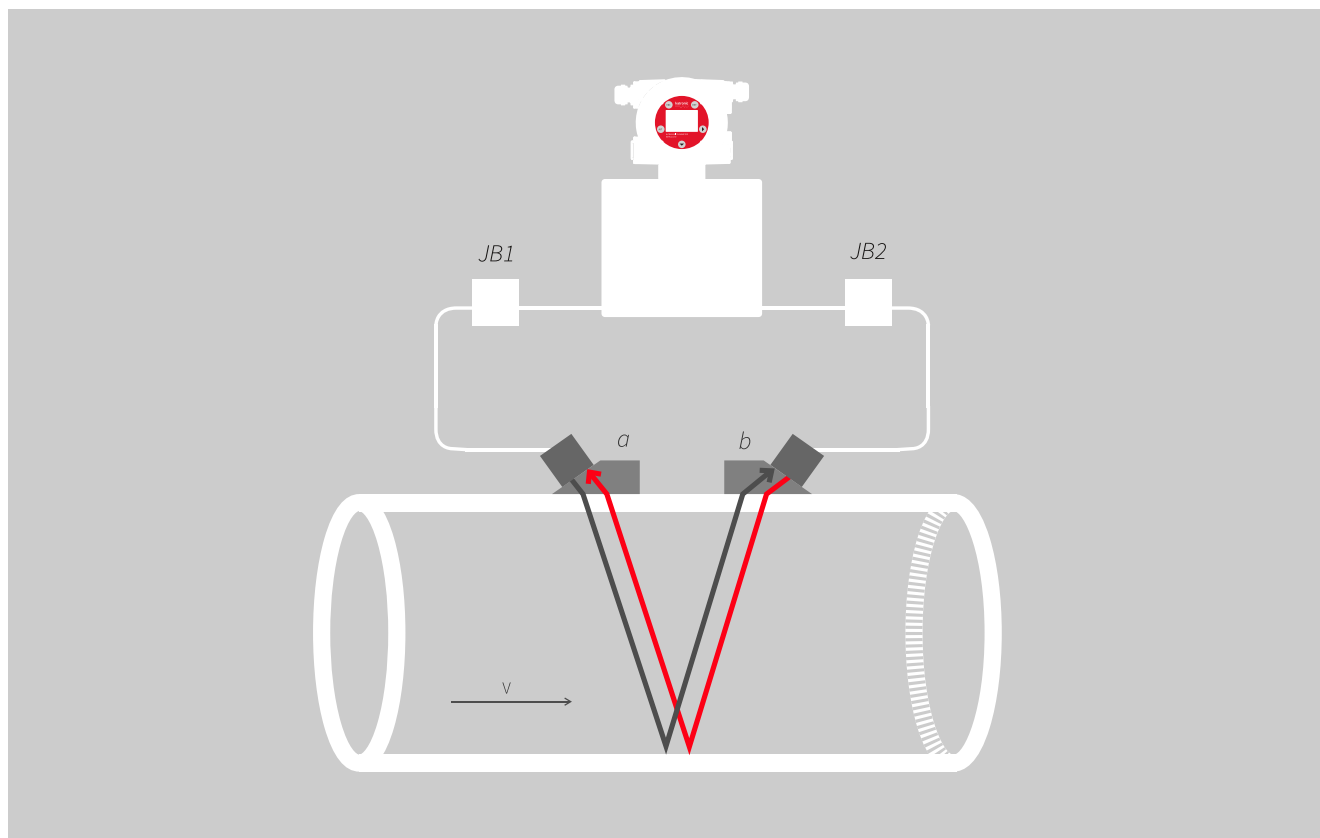


## FLOWMETERING SYSTEM

### Performance

Measurement principle	Ultrasonic correlation transit-time difference
Flow velocity range	0.1 ... 75 m/s
Resolution	0.25 mm/s
Repeatability	0.15 % of measured value, $\pm 0.015$ m/s
Accuracy	Volume flow: $\pm 1 \dots 3$ % of measured value depending on application
Turn down ratio	1/200 (equivalent to 0.35 ... 75 m/s)
Measurement rate	100 Hz (standard)
Response time	1 s (standard), 90 ms (optional)
Damping of displayed value	0 ... 99 s (selectable by user)
Pressure range	0.1 MPa (1 bar) to unlimited maximum
Liquid content of gas media	< 5 % of volume

### System diagram

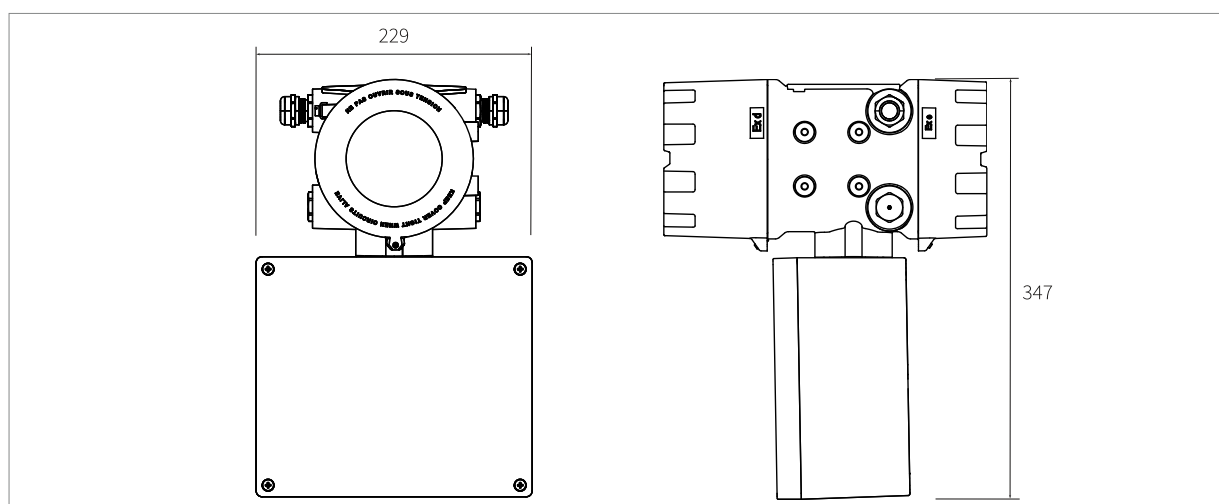


KATflow 180 system diagram

## General

Enclosure type	Field housing, pipe, wall or floor mounted
Degree of protection	IP 66 according to EN 60529
Operating temperature	-20 ... +60 °C (-4 ... +140 °F)
Housing material	Copper-free aluminium, polyurethane and epoxy-coated, stainless steel (optional)
Protection concept	Flame-proof (d), increased safety (e)
Ex-certification code	II 2G Ex db eb IIB T6
Ex-certification number	EPS 11 ATEX 1355 X
Measurement channels	1
Power supply	100 ... 240 V, AC 50/60 Hz 9 ... 36 V DC Special solutions on request
Display	OLED graphic display, 128 x 64 dots, backlit
Power consumption	< 25 W
Operating languages	English (others on request)

## Drawings



KATflow 180 (dimensions in mm)

### Communication

Type	Modbus RTU or Modbus TCP/IP
Remote communication	Ethernet (wired or wireless) or GSM

### Process variables

Volumetric flow rate	Standard or normalised
Gas flow normalisation	AGA8 or GERG

### Process inputs (galvanically isolated)

Temperature	Pt 100 (clamp-on sensors), three- or four-wire circuit Measurement range: -50 ... +250 °C (-58 ... +482 °F) Resolution: 0.1 K Accuracy: ±0.2 K
Current (temperature, pressure, gas composition)	0/4 ... 20 mA active or 4 ... 20 mA passive, U = 30 V, R <sub>i</sub> = 50 Ω Accuracy: 0.1 % of measured value

### Process outputs (galvanically isolated)

Current	0/4 ... 20 mA active/passive (R <sub>Load</sub> < 500 Ω), 16 bit resolution, U = 30 V, accuracy: 0.1 %
Digital open-collector	Value: 0.01 ... 1000/unit, width: 1 ... 990 ms, U = 24 V, I <sub>max</sub> = 4 mA
Digital relay	2 x Form A SPST (NO and NC), U = 48 V, I <sub>max</sub> = 250 mA
Voltage	0 ... 10 V, R <sub>Load</sub> = 1000 Ω
Frequency	2 Hz ... 10 kHz, 24 V/4 mA
HART* compatible	4 ... 20 mA, 24 V DC, R <sub>Load</sub> = 220 Ω

## TRANSDUCERS

### G5, G10

Type G5	500 kHz (Ex and non-Ex)
Type G10	1 MHz (Ex and non-Ex)
Material of sensor heads	Stainless steel
Material of cable conduits	PTFE
Temperature range	-40 ... +80 °C (-40 ... +176 °F) (for Ex-versions) -20 ... +135 °C (-4 ... +275 °F) (for non-Ex-versions)
Standard cable lengths	10.0 m
Degree of protection	IP 68 according to EN 60529
Ex-certification code	II 2G Ex mb IIC T6 Gb
Ex-certification number	ZELM 04 ATEX 0212 X
Ex-protection method	Encapsulation (m), high level of protection (b)
Note	The transducers are approved for use in hazardous areas classified as Ex-Zone 1 and 2. They are connected directly to the flowmeter or via extension cables and Ex-approved junction boxes.

### Images



KATflow 180 and G5 type transducers in operation



KATflow 180 pipe mounted with 2" mounting frame

## MOUNTING ACCESSORIES

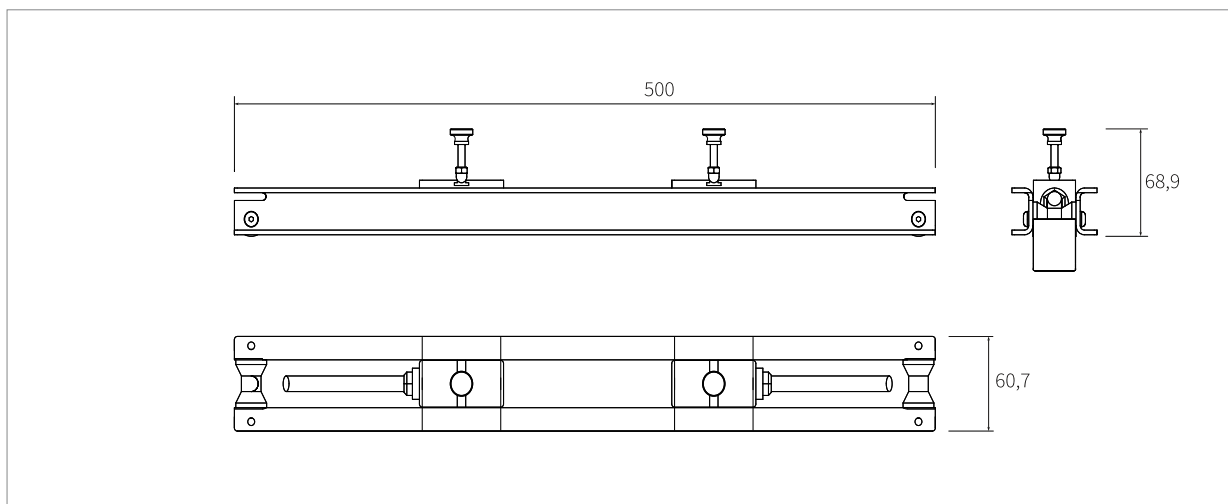
### General

Diameter range and mounting types

Mounting frame and sensor protection: DN 25 ... 250

Mounting frame and sensor protection: DN 80 ... 1 500

### Drawings and images



Metallic mounting rail



Metallic mounting rail with transducers



Transducer protection cover



## FLOWMETER AND ACCESSORIES

KF180	Ultrasonic flowmeter KATflow 180, operating instructions
<b>Internal code</b>	
G	Internal code
<b>Number of measurement channels</b>	
1	1 measurement channel
<b>Power supply</b>	
1	100 ... 240 V AC, 50/60 Hz
2	9 ... 36 V DC
Z	Special (please specify)
<b>Enclosure type</b>	
1	Non-Ex-enclosure, glass-fronted, copper-free aluminium, epoxy-coated, IP 66
2	Ex-enclosure, glass-fronted, copper-free aluminium, epoxy-coated, IP 66, II 2G Ex db eb IIB T6
3	Ex-enclosure, glass-fronted, stainless steel, IP 66, II 2G Ex db eb IIB T6
Z	Special (please specify)
<b>Communication</b>	
0	Without
2	Modbus RTU <sup>1)</sup>
3	Modbus TCP/IP
Z	Special (please specify)
<b>Process inputs/outputs</b>	
N	Without
C	Current output, 0/4 ... 20 mA, active (source)
P	Current output, 4 ... 20 mA, passive (sink)
D	Digital output, open-collector
R	Digital output, relay
H	HART* compatible output, 4 ... 20 mA, passive <sup>1)</sup>
V	Voltage output, 0 ... 10 V
F	Frequency output, 2 Hz ... 10 kHz
A	Pt 100 input (for temperature)
B	Current input, 0/4 ... 20 mA, active or passive (for pressure, temperature and/or gas compressibility)
Z	Special (please specify)
<b>Internal data logger</b>	
0	Without
1	30 000 measurements
2	100 000 measurements
Z	Special (please specify)
<b>Optional items</b>	
	Without (leave space blank if no optional items required)
PM	With 2" pipe mounting bracket
FF	Floor standing mounting frame
TA	With stainless steel tag (specify text)

**KF180** - **G** - **1** - **1** - **1** - **0** - **CD** - **0** / (example configuration)

The configuration is customised by choosing from the above-listed options and is expressed by the resulting code at the bottom of the table.

1) Modbus and HART\* compatible outputs can not be used in conjunction with other output options. Please consult factory for more information.

## TRANSDUCERS AND ACCESSORIES

G5	Transducer pair, 500 kHz, pipe diameter range 80 ... 1 500 mm
G10	Transducer pair, 1 MHz, pipe diameter range 25 ... 250 mm
Z	Special (please consult factory)
<b>Temperature range</b>	
L	Process temperature -40 ... +80 °C (-40 ... +176 °F)
N	Process temperature -20 ... +135 °C (-4 ... +275 °F)
Z	Special (please consult factory)
<b>Internal code</b>	
A ... J	Attribute type
<b>Hazardous area approval</b>	
0	Safe area use
Ex	ATEX-approval, II 2G mb IIC T6 Gb, -40 ... +80 °C (-40 ... +176 °F)
<b>Degree of protection</b>	
3	IP 68
<b>Transducer mounting accessories</b>	
7	Stainless steel mounting rail, clamps and straps, DN 25 ... 250 (transducer type G10)
8	Stainless steel mounting rail, clamps and straps, DN 80 ... 1 500 (transducer type G5)
<b>Stainless steel tag</b>	
0	Without
1	With stainless steel tag (please specify text to be engraved)
<b>Transducer connection type and extension cable length</b>	
O	Without connector or junction box
C000	Wired transducer connection to flowmeter
JX	Extension via ATEX-junction box
C005	With extension cable, 5 m length
C010	With extension cable, 10 m length
C___	With extension cable (please specify length in m)
Z	Special (please specify)

**G10** - **L** - **A** - **0** - **3** - **7 0** - **JX** - **C010** (example configuration)

The configuration is customised by choosing from the above-listed options and is expressed by the resulting code at the bottom of the table.

Katronic Technologies Ltd.  
Earls Court  
Warwick Street  
Coventry CV 5 6ET  
United Kingdom

Tel. +44 (0)2476 714 111  
Fax +44 (0)2476 715 446  
E-mail [info@katronic.co.uk](mailto:info@katronic.co.uk)  
Web [www.katronic.co.uk](http://www.katronic.co.uk)

Katronic AG & Co. KG  
Gießlerweg 5  
38855 Wernigerode  
Germany

Tel. +49 (0)3943 239 900  
Fax +49 (0)3943 239 951  
E-mail [info@katronic.de](mailto:info@katronic.de)  
Web [www.katronic.de](http://www.katronic.de)

Katronic Instruments LLC  
1531 Stuyvesant Avenue  
Union, NJ 07083  
USA

Tel. +1 (0)908 688 6709  
Fax +1 (0)908 688 9040  
E-mail [info@katronic.com](mailto:info@katronic.com)  
Web [www.katronic.com](http://www.katronic.com)

\* HART® is a registered trademark of the *HART Communication Foundation*.

Katronic® and KATflow® are registered trademarks of Katronic AG & Co. KG.

© Copyright Katronic 2019 | Subject to changes without prior notice. All rights reserved. | Issue: DS\_KF180\_V10EN\_1903