



HMD60 Series Humidity and Temperature Transmitters

For Demanding HVAC and Light Industrial Applications



Features

- Measurement accuracy up to ± 1.5 %RH and ± 0.1 °C (± 0.18 °F)
- 4 ... 20 mA analog outputs: HMD62 (RH and T) and TMD62 (T-only)
- 0 ... 10 V analog outputs: HMD65 (RH and T)
- BACnet MS/TP and Modbus RTU: HMD65
- All common humidity parameters available, including RH, dew point, enthalpy, and wet bulb temperature
- Resistant to chemicals and dust
- IP66-rated body
- Traceable calibration certificate
- Easy field adjustment and output configuration with quick access to electronics also when installed
- Compatible with Vaisala Insight PC software

The duct mounted HMD60 series HUMICAP® transmitters HMD62, TMD62, and HMD65 are designed for light industrial applications and demanding HVAC applications such as museums, cleanrooms, and laboratories.

Analog or Digital Output with 3 Transmitter Options

HMD60 series transmitter options:

- HMD62: RH and T measurement, 4 ... 20 mA analog output
- TMD62: T-only transmitter, 4 ... 20 mA analog output
- HMD65: RH and T measurement, 0 ... 10 V analog output, Modbus RTU, and BACnet MS/TP

Robust Design, Stability, and Reliability

The all-metal body is suitable for building sites and industrial settings. HMD60 series transmitters provide state-of-the-art stability and environmental resistance, thanks to the Vaisala HUMICAP® R2 sensor.

For applications where hydrogen peroxide disinfection is used, the HUMICAP® 180V catalytic sensor option provides improved stability during H₂O₂ exposure.

Traceable Accuracy

HMD60 series transmitters are always delivered with a traceable (ISO9001) calibration certificate. Upon request, accredited (ISO17025) calibration certificates can also be provided.

Field Configurable Outputs

The analog HMD62 and TMD62 transmitter models use floating 4 ... 20 mA loop powered outputs. The HMD65 model has two 0 ... 10 V outputs in addition to BACnet MS/TP and

Modbus RTU interfaces (RS-485). The analog outputs are field configurable with easy humidity parameter selection using DIP switches.

For special scaling and other additional configuration and adjustment options, you can use the convenient Vaisala Insight PC software for Windows® (see www.vaisala.com/insight).

When required, HMD60 series transmitters can also be intuitively field adjusted using trimmers or with the Vaisala HM70 handheld meter.

Technical Data

Relative Humidity Measurement Performance

Humidity Sensor Options

HUMICAP® R2 Latest generation industrial sensor with improved corrosion resistance

HUMICAP® 180V Humidity sensor with a catalytic surface for processes with H₂O₂

Measurement range 0 ... 100 %RH

Stability ±0.5 %RH/year in typical HVAC applications

Accuracy at 0 ... +40 °C (+32 ... +104 °F)¹⁾

0 ... 90 %RH ±1.5 %RH

90 ... 100 %RH ±2.5 %RH

Accuracy at +40 ... +80 °C (+104 ... +176 °F) and -40 ... 0 °C (-40 ... +32 °F)^{1) 2)}

0 ... 90 %RH ±2.5 %RH

90 ... 100 %RH ±3.5 %RH

Factory calibration uncertainty ±1.0 %RH

Start-up and Response Time

Start-up time at +20 °C (+68 °F) 8 s

Response time (T63) at +20 °C (+68 °F) 15 s

Calculated Humidity Parameters (Default Analog Output Scale)

Dew point -40 ... +80 °C (-40 ... +176 °F)

Dew point / frost point -40 ... +80 °C (-40 ... +176 °F)

Absolute humidity 0 ... 300 g/m³ (0 ... 131.1 gr/ft³)

Wet bulb temperature -40 ... +80 °C (-40 ... +176 °F)

Enthalpy -40 ... 1600 kJ/kg (-9.5 ... 695.6 Btu/lb)

Mixing ratio 0 ... 600 g/kg (0 ... 4200 gr/lb)

¹⁾ Including non-linearity, hysteresis, and repeatability

²⁾ With HUMICAP® 180V sensor, accuracy is not specified below -20 °C (-4 °F) operating temperature

Temperature Measurement Performance

Temperature sensor Pt1000 RTD Class F 0.1 IEC 60751

Measurement range -40 ... +80 °C (-40 ... +176 °F)

Default analog output scale -20 ... +80 °C (-4 ... +176 °F)

Accuracy at +20 °C (+68 °F) ±0.1 °C (0.18 °F)

Temperature dependence ±0.005 °C/°C

Factory calibration uncertainty ±0.1 °C (0.18 °F)

Response time (T63) with free convection 8 min

Analog Output Performance

Accuracy at +20 °C (68 °F): ±0.01 mA (HMD62 and TMD62)
±5 mV (HMD65)

Temperature dependence ±0.0008 mA/°C (HMD62 and TMD62)
±0.2 mV/°C (HMD65)

Operating Environment

Operating temperature, electronics -40 ... +60 °C (-40 ... +140 °F)

Operating temperature, probe -40 ... +80 °C (-40 ... +176 °F)

Storage temperature range -40 ... +80 °C (-40 ... +176 °F)

Maximum flow speed 50 m/s with sintered filter

Electromagnetic compatibility EN61326-1, Industrial Environment



Inputs and Outputs

Power supply input

HMD62 and TMD62:
10 ... 35 VDC (RL = 0 Ω)
20 ... 35 VDC (RL = 600 Ω)

HMD65:
15 ... 35 VDC
16 ... 24 VAC

Power consumption (HMD65)

1.0 W (typical, for both AC and DC)

Analog outputs

TMD62: 1 × T output 4 ... 20 mA

HMD62: 1 × RH output 4 ... 20 mA,
1 × T output 4 ... 20 mA¹⁾

HMD65: 1 × RH output 0 ... 10 V,
1 × T output 0 ... 10 V¹⁾
(load resistance: 10 kΩ min.)

Digital output (RS-485)

HMD65: Isolated, supports Modbus RTU and BACnet MS/TP protocols

BACnet MS/TP

Address range: 0 ... 127 (master mode only)

Modbus RTU

Address range: 1 ... 247

Service port

M8 4-pin male connector:
• MI70 handheld indicator (requires cable 219980SP)
• Vaisala Insight PC software²⁾ (requires USB cable 219690)

Screw terminal wire size

0.5 ... 2.5 mm²

¹⁾ Calculated output parameters for HMD62 and HMD65 include T_φ, T_{dr}, A, X, T_{wp}, and H.

²⁾ Vaisala Insight software for Windows® available at www.vaisala.com/insight.

Spare Parts and Accessories

USB cable for PC operation (Vaisala Insight software) 219690

Connection cable for HM70 (MI70) handheld meter 219980SP

Membrane filter ASM212652SP

Sintered filter HM46670SP

Sintered teflon filter DRW244938SP

Conduit fitting and O-ring (M16×1.5 / NPT1/2") 210675SP

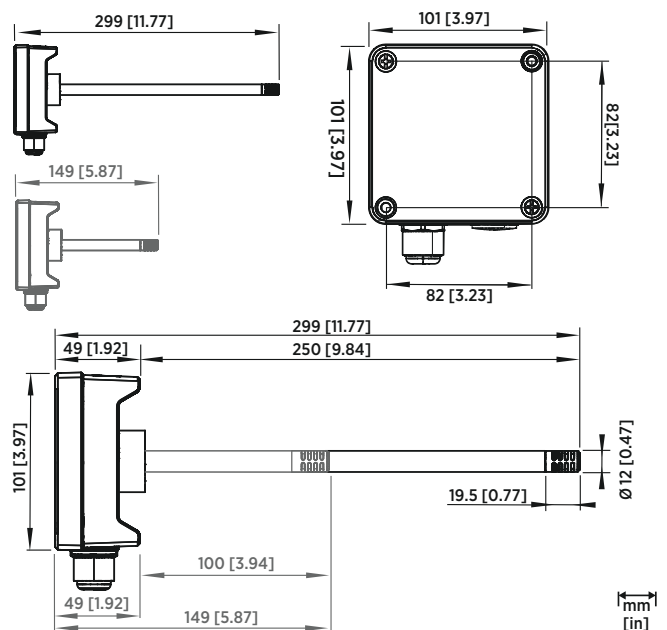
Mechanical Specification

Housing material Cast aluminum

Probe material Stainless steel

IP rating IP66 (NEMA 4X)

Weight 511 g (18 oz)



HMD60 Dimensions (Long and Short Probe Options)

Model	Measurement Parameters	Outputs and Scaling
HMD62	Humidity and Temperature	2 analog outputs, 4 ... 20 mA
TMD62	Temperature	1 analog output, 4 ... 20 mA
HMD65	Humidity and Temperature	2 analog outputs, 0 ... 10 V Digital output: BACnet MS/TP, Modbus RTU
HMD60	Humidity and Temperature	Configurable outputs and scale, short probe option
TMD60	Temperature	1 analog output (4 ... 20 mA, configurable scale), short probe option