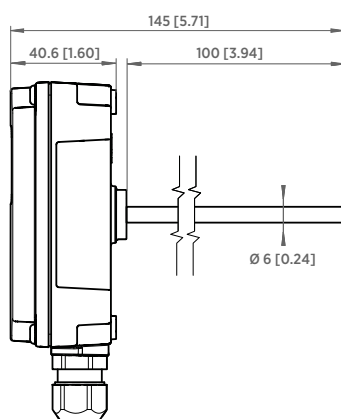
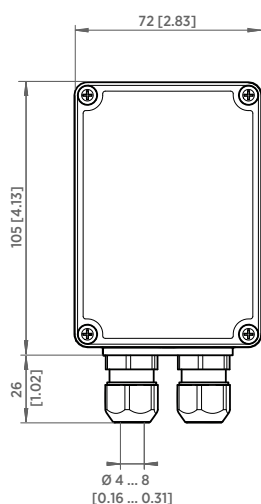


# Quick Guide

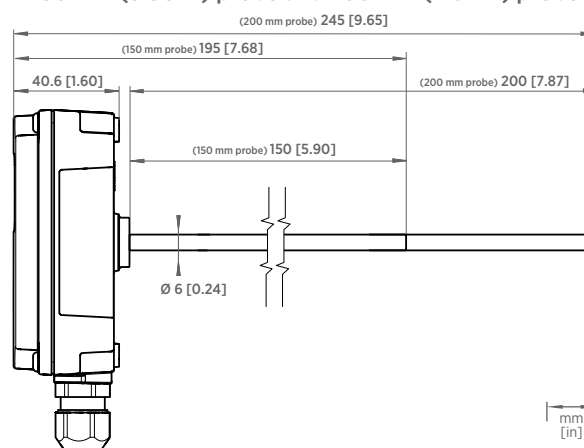
## Vaisala Temperature Transmitter TMI110



100 mm probe (3.94 in)



150 mm (5.90 in) probe and 200 mm (7.87 in) probe



mm  
[in]

The TMI110 temperature transmitter is designed for measuring cooling/heating water temperatures in HVAC automation systems. When measuring the temperature of liquid, the transmitter is installed in a thermowell, as shown in this Quick Guide. For air temperature measurements, the transmitter can be installed in a duct using a flange.

The TMI110 temperature transmitter has two output options: analog (4–20 mA) and Modbus® RTU. The transmitter's component board contains a service port, which can be used for field calibration of the device, and for changing the scale of measurement using Vaisala Insight PC software (available for download at [www.vaisala.com/insight](http://www.vaisala.com/insight)).



PUBLISHED BY  
Vaisala Oyj  
Vanha Nurmiärväentie 21  
FI-01670 Vantaa, Finland  
© Vaisala 2025

All rights reserved. Any logos and/or product names are trademarks of Vaisala or its individual partners. Any reproduction, transfer, distribution or storage of information contained in this document is strictly prohibited. All specifications – technical included – are subject to change without notice.

**VAISALA**



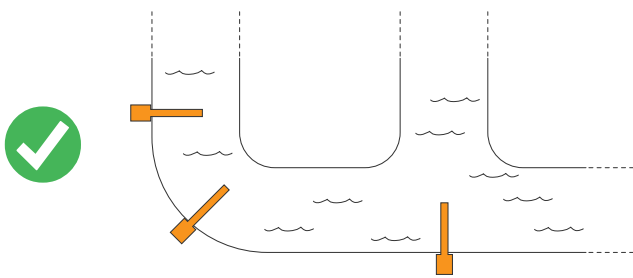
For the full TMI110 product specifications and user guidance, see [TMI110 Datasheet B212427EN](#) and [HMDW110 Series User Guide M211726EN](#), available at [docs.vaisala.com](https://docs.vaisala.com).

## Installation and wiring

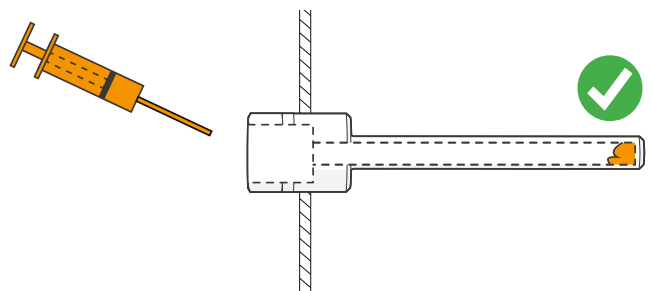


- Medium size crosshead screwdriver (Pozidriv) for the screws on the cover
- Tools for cutting and stripping wires
- 19-mm open-end wrench for tightening the cable gland
- Heat transfer paste
- Thermowell installed in the pipe

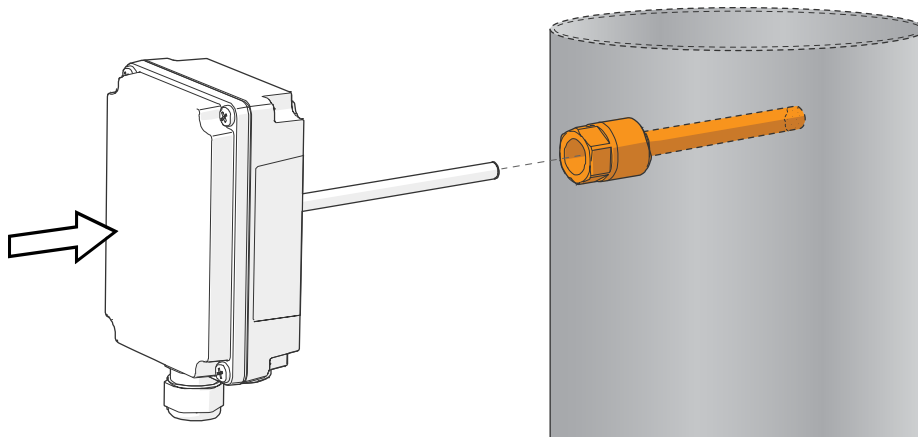
1

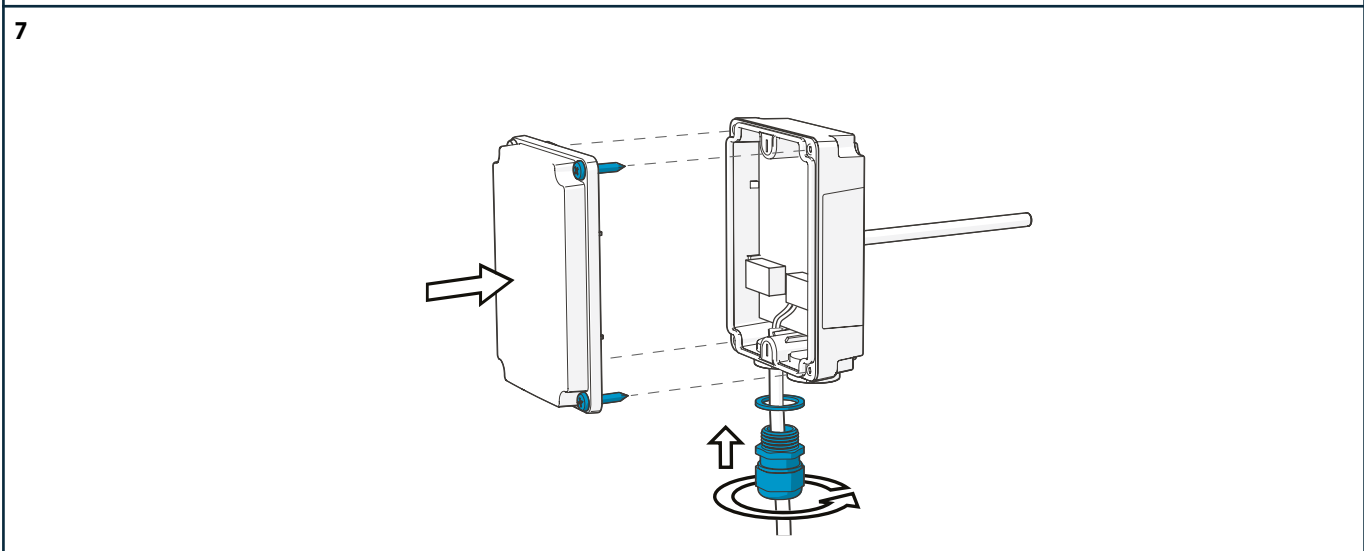
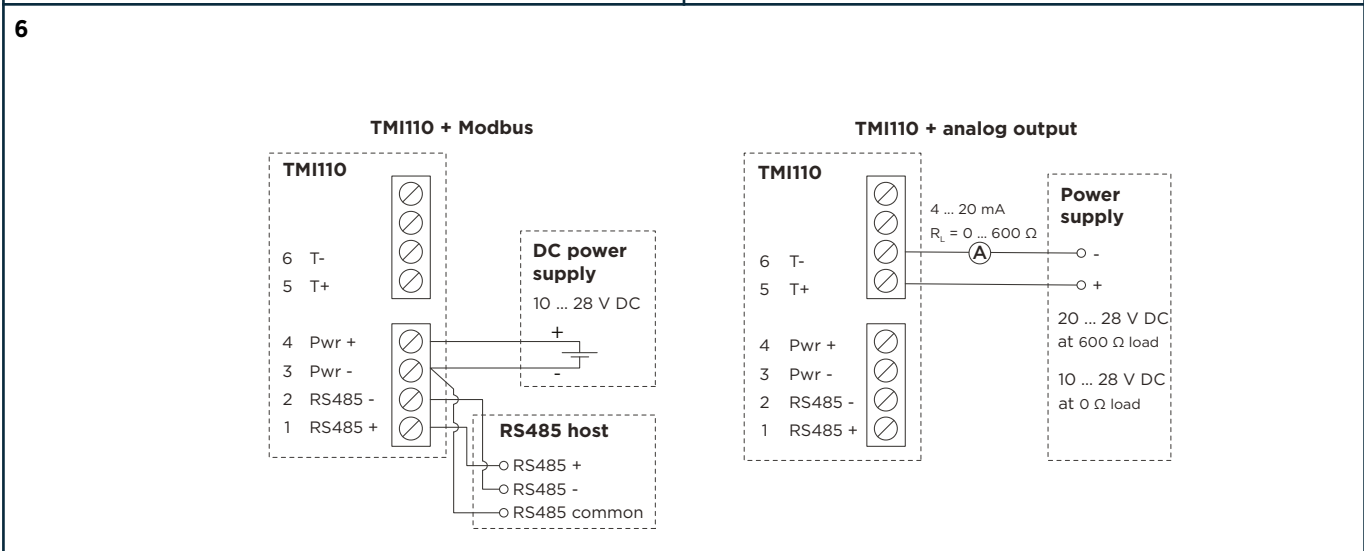
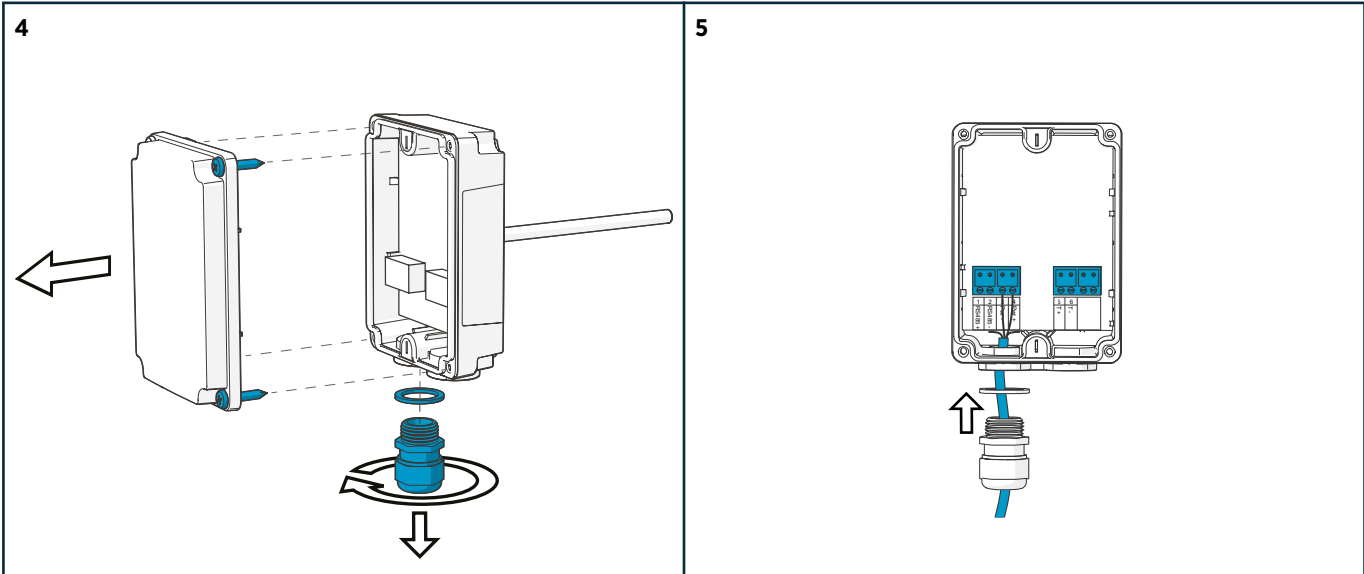


2



3





## Maintenance and calibration services



Vaisala offers comprehensive customer care throughout the life cycle of our measurement instruments and systems. Our factory services are provided worldwide with fast deliveries. For more information, see [vaisala.com/calibration](https://vaisala.com/calibration).

- Vaisala Online Store at [store.vaisala.com](https://store.vaisala.com) is available for most countries. You can browse the offering by product model and order the right accessories, spare parts, or maintenance and calibration services.
- To contact your local maintenance and calibration expert, see [vaisala.com/contactus](https://vaisala.com/contactus).

## Technical support



Contact Vaisala technical support at [helpdesk@vaisala.com](mailto:helpdesk@vaisala.com). Provide at least the following supporting information as applicable:

- Product name, model, and serial number
- Software/Firmware version
- Name and location of the installation site
- Name and contact information of a technical person who can provide further information on the problem

For more information, see [vaisala.com/support](https://vaisala.com/support).

## Warranty

For standard warranty terms and conditions, see [vaisala.com/warranty](https://vaisala.com/warranty).

Please observe that any such warranty may not be valid in case of damage due to normal wear and tear, exceptional operating conditions, negligent handling or installation, or unauthorized modifications. Please see the applicable supply contract or Conditions of Sale for details of the warranty for each product.

## Recycling



Recycle all applicable material according to local regulations.