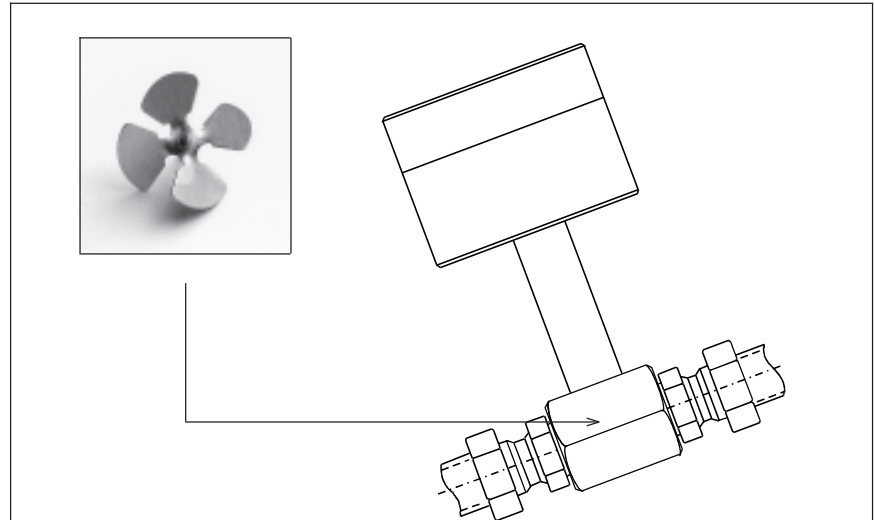
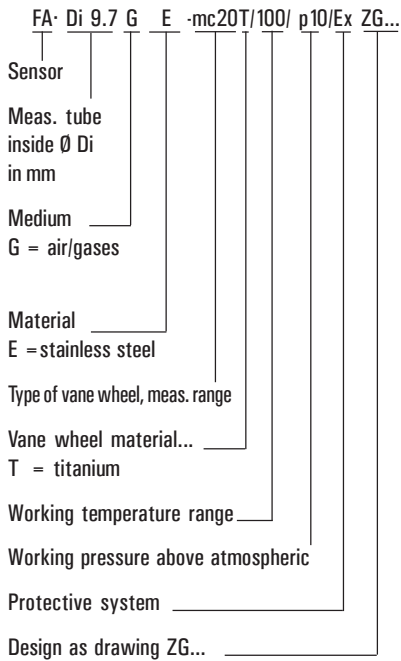


Measuring Tubes FA·Di 9.7GE...100 °C



The following applies to all measuring tubes
FA Di 9.7 GE-mc...T/ 100 / p10 ZG...

Measuring ranges v_{local} with vane wheel type

mc20T	G: 0.6 ... 20 m/s
mc40T	G: 0.8 ... 40 m/s

With developed flow profile, irrotational flow, the relation

$$v_{mean} = PF \cdot v_{local}$$

with the profile factor PF = 0.66:

$$1 \text{ m/s}_{local} \cong 0.66 \text{ m/s}_{mean}$$

$$1 \text{ m/s}_{local} \cong 2.93 \text{ actual l/min}$$

Working temperature range

continuous : -20 °C ... +100 °C
short-time : -25 °C ... +125 °C

Working pressure : up to 10 bar/1 MPa
Materials which come into contact with the medium

E : stainless steel, titanium, ceramics, sintered hard metal, VITON

Fitting attitude : as required

Connection : terminal screws

Connection housing: AS80,
L·W·H = 80·80·60 mm
for 0 °C ... +50 °C

Screwed cable glands : PG11, for cable with Ø 5...10 mm

Protective system : sensor IP68
connection housing IP65

Other models

Ex ia IIC T6, Measuring range up to 80 m/s or 120 m/s ... on request

User's Information

for measuring with vane wheel flow sensors, see also Data Sheet FA.

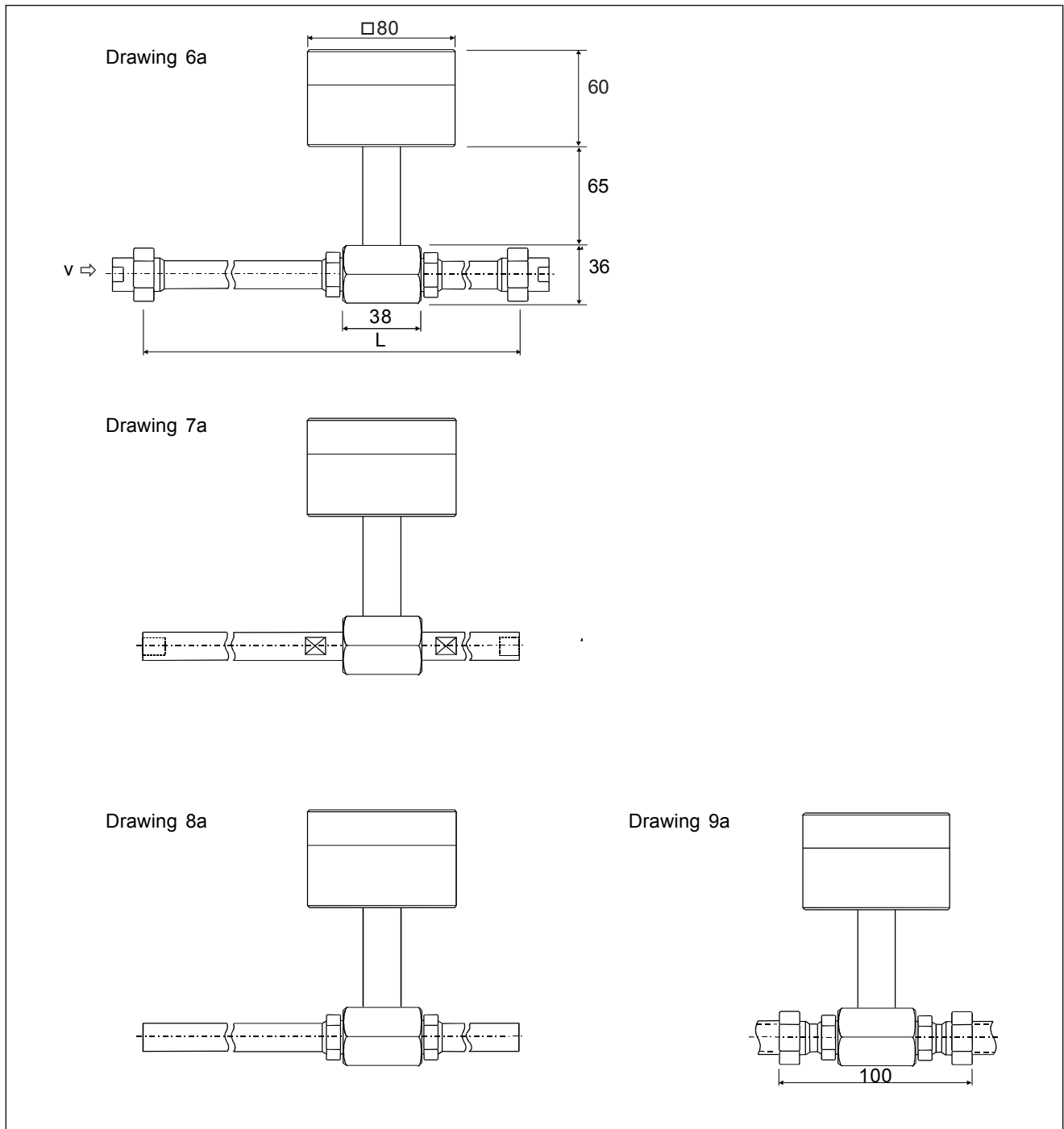
Standard: output v/FA, optional with **integrated transducer** / 24 VDC / AS80

Output: 4...20 mA =
0...terminal value G in m/s

Measuring tube as drawing ZG ...	Type of vane wheel	Meas. range G in actual l/min ≈...	Installation length L total ≈ ... mm	Input/output section in mm b = by customer	Pipe connection V = screwed conn. SRV = cutting ring V	Article no.
FA·Di 9.7... ZG6a	mc20T	1.8 ... 58.6	350	200/100	Pipe V G 3/8"	b001/229
FA·Di 9.7... ZG6a	mc40T	2.4 ... 117.2	350	200/100	Pipe V G 3/8"	b001/230
FA·Di 9.7... ZG7a	mc20T	1.8 ... 58.6	350	200/100	inside thread G 3/8"	b001/231
FA·Di 9.7... ZG7a	mc40T	2.4 ... 117.2	350	200/100	inside thread G 3/8"	b001/232
FA·Di 9.7... ZG9a	mc20T	1.8 ... 58.6	38+SRV	b: 200/100	SRV for pipes 12·1	b001/233
FA·Di 9.7... ZG9a	mc40T	2.4 ... 117.2	38+SRV	b: 200/100	SRV for pipes 12·1	b001/234
FA·Di 9.7... ZG8a	mc20T	1.8 ... 58.6	350	200/100	Pipes oØ 16 mm ¹⁾	b001/235
FA·Di 9.7... ZG8a	mc40T	2.4 ... 117.2	350	200/100	Pipes oØ 16 mm ¹⁾	b001/236

¹⁾ oØ = outside diameter

Designs of Measuring Tubes FA·Di 9.7GE...100 °C



Höntzsch GmbH
P.O. Box 1324 D-71303 Waiblingen
Gottlieb-Daimler-Str. 37
D-71334 Waiblingen (Hegnach)
Telephone 07151/1716-0
Facsimile 07151/58402