

μ P-Vortex in LDG30 Housing

Evaluation unit with display and keypad for connection of vortex flow sensors VA which do not sense the direction of flow

for measuring actual flow velocity

for determining actual volume flow, optionally also standard volume flow and mass flow ...

Once you have received your delivery please consult the accompanying [Technical Data Sheet](#) that contains information specific to your order and also refer to the documents listed in the manual. The data in these documents supplements the following information.



Hardware

The hardware of the evaluation units is available in a number of different variations, adapted to suit all types of user requirements. Each variation is distinguished by a specific combination of hardware elements. Below are the hardware elements for the μ P-Vortex in LDG housing. Other hardware elements are also available: see data sheet [Hardware](#).

Analog Output

The software determines the allocation of an analog signal to a specific measurable variable, outcome value or measuring range.

20 mA – 500 Ω

0/4...20 mA

Load resistor max. 500 Ω

0...10 V optional

Output signal 0...10 V

Impedance 1 k Ω

Power supply 230 VAC

230 V +6/-10% 50/60 Hz

Current consumption less than 100 mA

Power supply 24 VAC optional

24 V +6/-10% 50/60 Hz

Current consumption less than 500 mA

Power supply 24 VDC optional

20...30 V DC with DC/DC converter

Current consumption less than 500 mA

Output relay optional

The software determines the allocation of a relay function to a specific event or status. Relay output with 1-operation/mean/non-operation, max. 3 W, current-carrying capacity 28 V

Working temperature range

of all hardware elements 0...+50 $^{\circ}$ C

Input v/VA for v-transmitters VA:

Höntzsch vortex flow sensors VA which do not sense the direction of flow. Connection cable: 3 conductors with overall shielding. Measurable variable: actual flow velocity.

Housing

Miniature housing LDG30 W/H/D = 100/75/110 mm for 35 mm standard assembly rails. See also data sheet [Housings](#).

Connection

Terminals
Terminal connections

Keypad

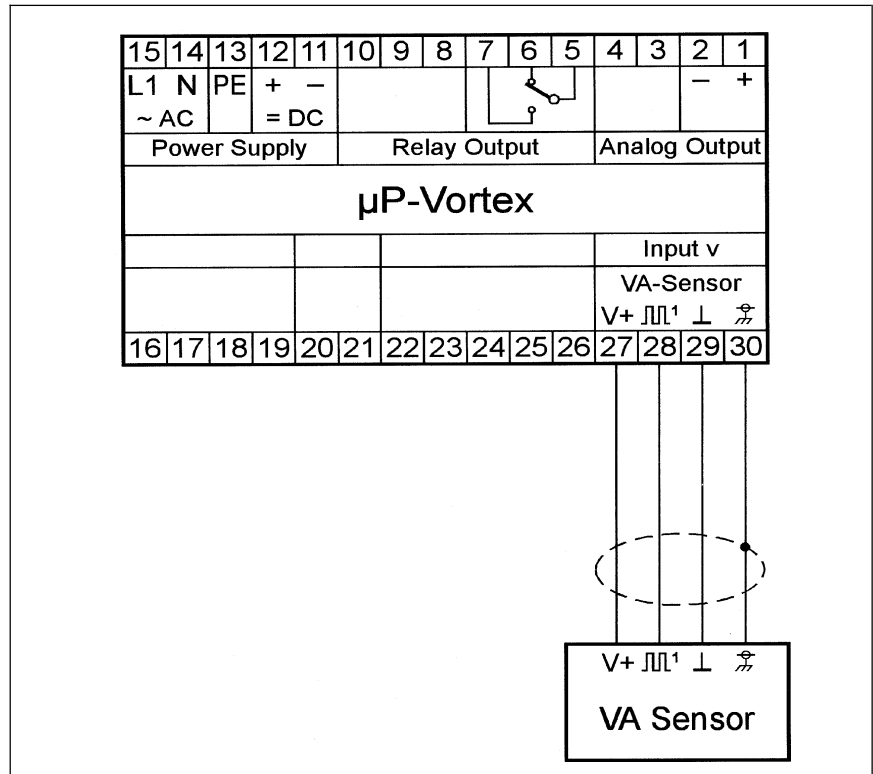
12 multifunctional keys

Display

LCD 16·2·5.5
Liquid crystal display module. Dot matrix, double-spaced alphanumeric, 16 characters/line, character height 5.5 mm

Vortex measuring probes VA





Terminal plan μ P-Vortex in LDG 30 housing

Software VA

Summary

Standard

Measured value display

Instantaneous measurements every 2 s. Display of the actual flow velocity and/or actual volume flow. Display units: m/s, m³/h selectable.

Operator assistance

conversationally orientated. Menu of functions. Operating instructions, status display and error warnings.

Inputs, parameters and measurement data are non-volatile memorized, i.e. they are available after switching OFF/ON or after power supply interruption. Parameter settings on request also available with security code control.

Instrument settings

Measuring tube diameter, profile factor, display unit, calibration number, measurement cross-section. Conversational language German, English, French selectable.

Analog output

configurable, scalable

Time constant

The time constant which is set for the measured value display (setting range 1...99 s) as well as the set coefficient also effect the instantaneous values at analog output.

Linearizing of characteristic VA

Corresponding to calibration code KKZ for the actual flow velocity. The KKZ allows for interchangeability of the vortex sensors and guarantees optimal measurement accuracy.

Supplementary software

Quantity measurement/quantity meter

Long-term measurement, duration of measurement

Digital limit control. Hardware requirement: relay output

Analog output expandable

Coefficient 3-point adjustment for 1-point measurement

Calculation of actual flow rate to standard volume flow, selective, with temperature and pressure as input variables, not measurable variables

More detailed information, including Notes for the User, can be found in the data sheet [Software VA](#)

INDUSTRIE AUTOMATION GRAZ

Autaler Strasse 55, AT-8074 Raaba
 Telefon +43 (316) 405 105
 Telefax +43 (316) 405 105 22
 E-Mail office@iag.co.at
 Internet www.iag.co.at