



Indigo510 Transmitter

For Vaisala Indigo compatible probes



Features

- Touchscreen display (optional non-display model with LED indicator also available)
- Data logging of all measurement parameters
- IP66 and NEMA 4 rated metal enclosure
- 2 configurable galvanically isolated analog outputs
- Ethernet connection with web interface for remote access
- Modbus[®] TCP/IP protocol
- Protective extra-low voltage powering
- UL Listed in USA and Canada

Vaisala Indigo510 transmitter is an industrial-grade, robust transmitter that accommodates 1 Vaisala Indigo compatible probe for humidity, temperature, dew point, carbon dioxide, hydrogen peroxide, and moisture in oil measurements. The transmitter can display measurements on the spot as well as transmit them to automation systems through analog signals or Modbus TCP/IP protocol.

Variety of probe options

Indigo500 Series transmitters are the most versatile option for use with Indigo compatible probes.

- HMP Series humidity and temperature probes
- DMP Series dew point probes
- GMP250 Series carbon dioxide probes
- HPP270 Series vaporized hydrogen peroxide probes
- MMP8 moisture in oil probe

The probes are interchangeable, self-contained measurement instruments that are easily detachable from the transmitter for calibration and maintenance. The probes are connected using a cable that can be extended with a standard instrumentation cable to allow up to 30 m (98 ft) distance between the transmitter and the probe.

Indigo500 Series transmitters can also be connected to the MHT410 transmitter for display of measurement data and automation system connectivity.

For more information on the Indigo product family, see www.vaisala.com/indigo.

Analog and digital interfaces

The Indigo510 transmitter has 2 analog channels that can be configured to mA or voltage type. Any of the output parameters from the connected probe can be assigned to control the analog channels.

The digital output protocol is Modbus TCP/IP over Ethernet. The Ethernet connection also provides a web interface and cybersecurity that meets modern standards.

Robust design

The transmitter has a wide operating temperature range, an IP66-rated corrosion-resistant metal enclosure, and an optional touchscreen display made of strengthened (IK08) glass. The transmitter withstands commonly used cleaning chemicals, such as isopropanol and liquid H₂O₂ (30 %), and performs even in the harshest conditions.

The standard mounting options include mounting on a wall and on a DIN rail. With an adapter plate, the transmitter can be installed to replace an HMT330, DMT340, and MMT330 series transmitter. A pole mounting kit is also available as an accessory.

Technical data

Indigo compatible probes

Measurement type	Probe models
Humidity and temperature	HMP1, HMP3, HMP4, HMP5, HMP7, HMP8, HMP9
Temperature	TMP1
Dew point	DMP5, DMP6, DMP7, DMP8
Carbon dioxide	GMP251, GMP252
Vaporized hydrogen peroxide	HPP271, HPP272
Moisture in oil	MMP8

Other compatible devices

Device or series	Models
MHT410 Moisture, Hydrogen and Temperature Transmitter	MHT410

Inputs and outputs

Operating power	
Protective extra-low voltage (PELV)	11 ... 35 V DC, 24 V AC \pm 15 % 50/60 Hz, max. current 2 A Isolation voltage: 500 V AC, 1000 V DC
PELV power cable temp. rating	\geq +80 °C (+176 °F)
Analog outputs	
Number of analog outputs	2
Selectable voltage output types	0 ... 1 V, 0 ... 5 V, 0 ... 10 V, scalable
Selectable current output types	4 ... 20 mA, 0 ... 20 mA, scalable
Max. wire size	2.5 mm ² (14 AWG)
Accuracy of analog outputs at +20 °C (+68 °F)	\pm 0.05 % full scale
Temperature dependence	\pm 0.005 % / °C full scale
External loads:	
Current outputs	$R_L < 500 \Omega$
0 ... 1 V output	$R_L > 2 \text{ k}\Omega$
0 ... 5 V and 0 ... 10 V outputs	$R_L > 10 \text{ k}\Omega$
Ethernet interface	
Supported standards	10BASE-T, 100BASE-TX
Connector	8P8C (RJ45)
Supported protocols	Modbus TCP/IP (port 502), HTTPS (port 8443)

Operating environment

For use in wet locations	Yes
Operating humidity	0 ... 100 %RH
Maximum operating altitude	4000 m (13 123 ft)
IP rating	IP66 ¹⁾
Operating temperature	
With display	-20 ... +60 °C (-4 ... +140 °F)
Without display	-40 ... +60 °C (-40 ... +140 °F)
Storage temperature	
With display	-30 ... +60 °C (-22 ... +158 °F)
Without display	-40 ... +60 °C (-40 ... +140 °F)

¹⁾ Evaluated by Eurofins, not by UL.

Mechanical specifications

NEMA rating	NEMA 4
Housing classification	IK08, DIN EN ISO 11997-1: Cycle B (VDA 621-415)
Housing material	AlSi10Mg (DIN 1725)
Display window material	Strengthened glass (IK08)
Weight	1.5 kg (3.3 lb)
Dimensions (H × W × D)	142 × 182 × 67 mm (5.63 × 7.17 × 2.64 in)

Cable diameters for cable glands

M20×1.5 glands	5.0 ... 9.0 mm (0.20 ... 0.31 in)
M20×1.5 glands with split bushing	7 mm (0.28 in)
M16×1.5 glands	2.0 ... 6.0 mm (0.08 ... 0.24 in)

User interfaces

User interfaces	Web interface for remote use, optional touchscreen display
Supported languages	English, Chinese, French, German, Japanese, Spanish
Optional display	5 in capacitive touchscreen
Integrated data logging capabilities	Non-volatile memory, at least 10 years' storage with 24 h interval logging

Compliance

EU directives and regulations	EMC Directive (2014/30/EU) RoHS Directive (2011/65/EU) amended by 2015/863
EMC compatibility	IEC/EN 61326-1, industrial environment CISPR 32 / EN 55032, Class B
Electrical safety	IEC/EN 61010-1
Compliance marks	CE, China RoHS, FCC, RCM, UKCA
Listing marks	UL Listed (USA and Canada)
FCC compliance	FCC Part 15, Class B



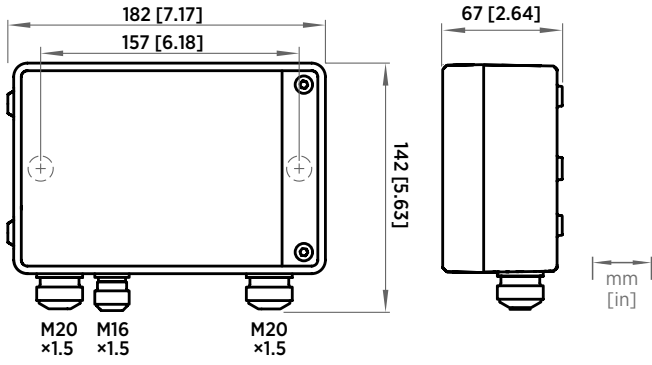
Accessories

Adapter plate	DRW252186SP
Installation kit for pole or pipeline	215108
Installation kit with weather shield	215109
Probe cables	
Probe cable, 1 m	CBL210896-1MSP
Probe cable, 3 m	CBL210896-3MSP
Probe cable, 5 m	CBL210896-5MSP
Probe cable, 10 m	CBL210896-10MSP

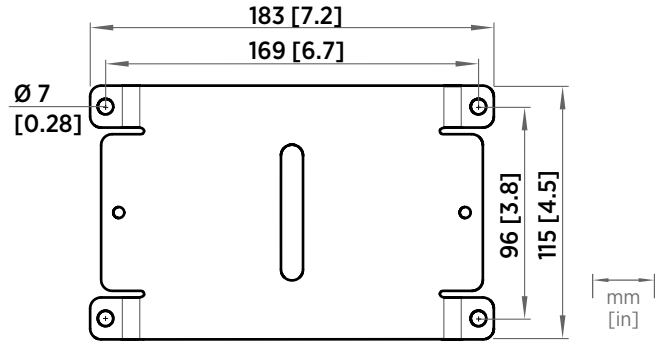
Spare parts

Cable gland, M20×1.5, 5.0 ... 9.0 mm (0.20 ... 0.35 in)	ASM213670SP
Cable gland with split bushing, M20×1.5 ¹⁾	262632SP
Cable gland, M16×1.5, 2.0 ... 6.0 mm (0.08 ... 0.24 in)	ASM213671SP
Conduit fitting, M20×1.5 for NPT1/2" conduit	214780SP

¹⁾ With 7-mm (0.28 in) hole for cable and 14-mm (0.55 in) hole for 8P8C (RJ45) connector to pass through.



Indigo510 dimensions and lead-through sizes



Indigo500 adapter plate dimensions