



**PASVE®** is a ball-type mounting & service valve for SATRON VG and HG type level and pressure transmitters. **PASVE®** makes it simple to disconnect the transmitter from the process for maintenance and cleaning, without stopping the process or draining the tank.

**PASVE®** is available in a manually operated type or equipped with a pneumatic actuator.

### TECHNICAL SPECIFICATIONS

#### Transmitter connection

G1 female, seat accepts SATRON VG-transmitters.

#### Max. operating pressure/temperature

Pressure 40 bar, temperature 250 °C, (see the appended table).

Min. operating temp. -50 °C.

PVDF: See the appended table.

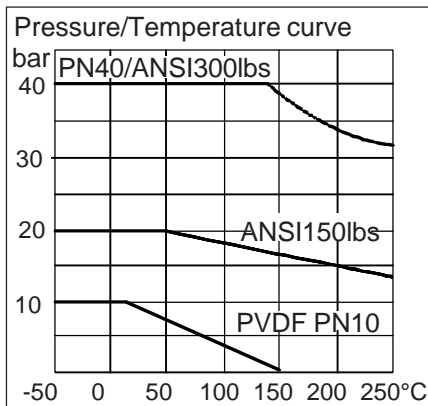
#### Materials

Wetted parts: AISI316L, AISI904L, Duplex, Hastelloy C276, Titanium, for **F** type also PVDF. Seals PTFE or PTFE with carbon and graphite filling.

#### Weight

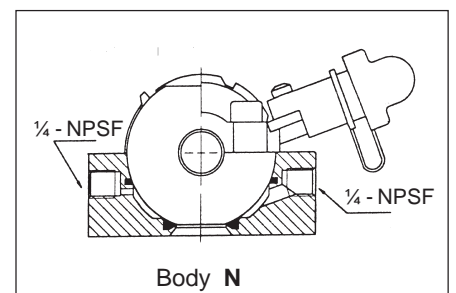
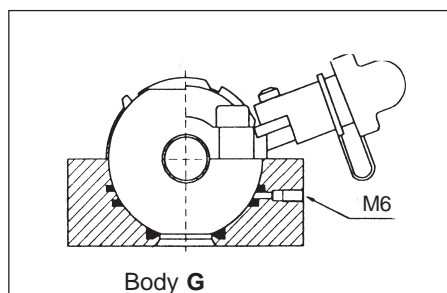
PASVE GC 4.3 kg, PASVE GP 4.2 kg,

PASVE GF 8.4 kg, Actuator 5.5 kg



### Selection table

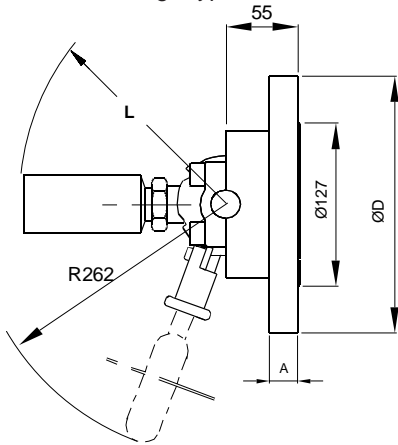
<b>PASVE</b>	<input type="checkbox"/>	<input type="checkbox"/>	<input type="checkbox"/>	<input type="checkbox"/>	<input type="checkbox"/>	<input type="checkbox"/>	<input type="checkbox"/>	<input type="checkbox"/>	<input type="checkbox"/>	<input type="checkbox"/>
<b>Body</b>										
<b>G</b> Standard model (with 3 seals)										
<b>N</b> Flushing (with 2 seals)										
<b>Mounting</b>										
	Wetted parts ( <b>C</b> and <b>P</b> )									
	Code	Material								
<b>C</b> On container	<b>none</b>	AISI316L (std.)								
<b>P</b> On pipe	<b>3</b>	Hastelloy C								
	<b>4</b>	AISI904L								
	<b>6</b>	Titanium								
	<b>8</b>	Duplex								
<b>F</b> On flange										
<b>Flanges</b>	Wetted parts									
Code	Type	Code	Material							
<b>T</b>	DN50 PN40 (only manual)	<b>2</b>	AISI316L							
		<b>3</b>	Hastelloy®C276							
<b>D</b>	DN80 PN40	<b>4</b>	AISI904L							
<b>J</b>	DN100 PN10/16	<b>6</b>	Titanium							
<b>C</b>	DN100 PN40	<b>8</b>	Duplex (Wnr. 1.4462)							
<b>A</b>	ANSI 3"/150 lbs	<b>P1</b>	PVDF PN10							
<b>B</b>	ANSI 3"/300 lbs	(P1 only for flange codes D,A,E)								
<b>H</b>	ANSI 4"/150 lbs									
<b>G</b>	ANSI 4"/300 lbs									
<b>Seals</b>										
<b>0</b>	PTFE + 20C + 5Gr (std.)									
<b>1</b>	PTFE 100%									
<b>4</b>	PTFE + 20C + 5Gr / AISI316 / PTFE 50 % (Hard)									
<b>5</b>	PTFE 100% / AISI316 / PTFE 50% (Hard)									
<b>6</b>	PTFE 100% / PVDF 100% (Hard)									
<b>Pt100 temperature sensor</b> (Only with body code <b>N</b> )										
<b>0</b>	No sensor									
<b>X</b>	With sensor (measuring range: -50...+200 °C)									
<b>Actuator</b>										
<b>MD</b>	No actuator (manually operated)		<b>AE1</b>	Electric actuator 230 V						
<b>AD</b>	Double-action actuator		<b>AE3</b>	Electric actuator 115 V						
<b>AS</b>	Spring-return actuator									
<b>Solenoid valve type</b> (for codes <b>AD</b> and <b>AS</b> only)										
<b>0</b>	No solenoid valve		<b>4</b>	28 V DC 0.4 W (only EEx ia)						
<b>1</b>	230 V AC 50 Hz 2 W (std.)									
<b>2</b>	24 V DC 2.5 W (also EEx dm)									
<b>3</b>	115 V AC 60 Hz 2 W									
<b>Solenoid explosion proof</b>										
<b>0</b>	No explosion proof		<b>3</b>	EEx dm IIC T5/T6						
<b>1</b>	EEx m II T4									
<b>2</b>	EEx ia IIC T6									
<b>Position switches</b>										
<b>0</b>	None		<b>A</b>	Position switch EEx ib IIC T5/T6						
<b>X</b>	Equipped with position switches									
<b>E</b>	Position switch NAMUR, DIN 19234									
<b>Options</b>										
<b>Z1</b>	For oxygen use		<b>Z4</b>	Cutting ball						
<b>Z2</b>	Process side flushing		<b>Z5</b>	Diamond-coated ball						
<b>Documentation</b>										
<b>IE</b>	English		<b>IF</b>	Finnish						
<b>Material certificates</b>										
<b>0</b>	No material certificate		<b>MC2</b>	SFS-EN 10204-2.2 (DIN50049-2.2)						
<b>MC1</b>	SFS-EN 10204-2.1 (DIN50049-2.1)		<b>MC3</b>	SFS-EN 10204-3.1B (DIN50049-3.1B)						
Specification example: <b>PASVE G FD2 0 0 AD10 X IE MC1</b>										



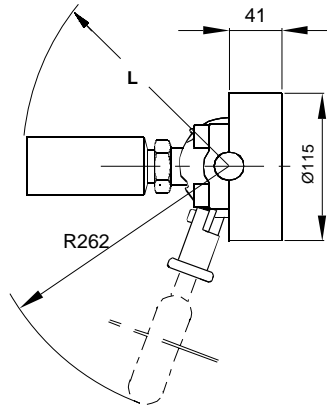
### Dimensions (mm)

### Manually operated

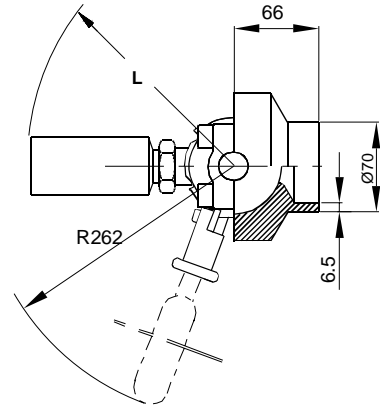
PASVE GF-(a)  
NF-(a)  
Flange type



PASVE GC  
NC  
Welded on container



PASVE GP  
NP  
Welded on pipe

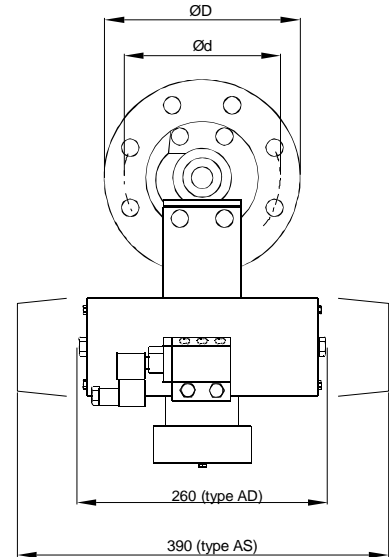
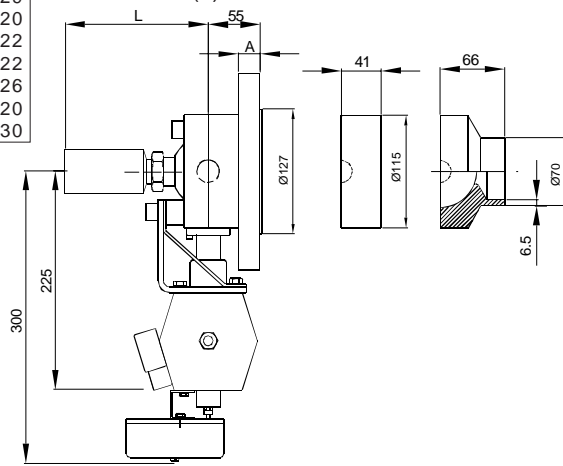


GF-(a)

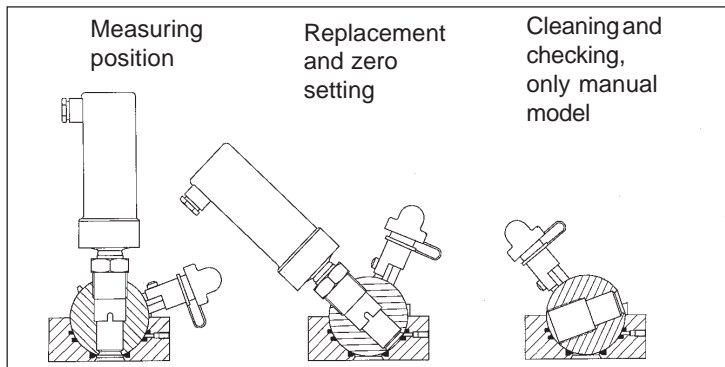
FLANGE		ØD	Ød	A
Code	Type			
A	ANSI 3" 150 lbs	191	152.4	22
B	ANSI 3" 300 lbs	210	168.3	27
H	ANSI 4" 150 lbs	229	190.5	26
G	ANSI 4" 300 lbs	254	200	29
T	DN50 PN40	165	125	20
D	DN80 PN40	200	160	22
J	DN100 PN10/16	220	180	22
C	DN100 PN40	235	190	26
E	JIS10K 80	185	150	20
F	JIS40K 80	210	170	30

### With pneumatic actuator

PASVE GF-(a) PASVE GC PASVE GP  
NF-(a) NC NP



### OPERATING POSITIONS



### Surface temperature

Ambient temperature °C	Temperature class
70	T6
85	T5
120	T4

### European Directive Information

ATEX directive (94/9/EC)  
Satron Instruments Inc. complies with the ATEX directive.

European Pressure Equipment Directive (PED) (97/23/EC)  
- Sound Engineering Practice

### European Certification



We reserve the right for technical modifications without prior notice.

Teflon® is the registered trademark of E.I. du Pont de Nemours & Co

Hastelloy® is the registered trademark of Haynes International.

Pasve® is the registered trademark of Satron Instruments Inc.