

# PME600 and PME610 panelmeters for process inputs and temperature sensors

- Pt100, thermocouple K, 4/20 mA, 0/10 V
- 2 alarm relays, low and high alarm
- Power supply 12 VDC for 2-wire transmitter
- Output 4-20 mA (PME610)
- Panel size 48 x 96 mm, only 65 mm deep
- Wide power supply range 21..265 V AC or DC

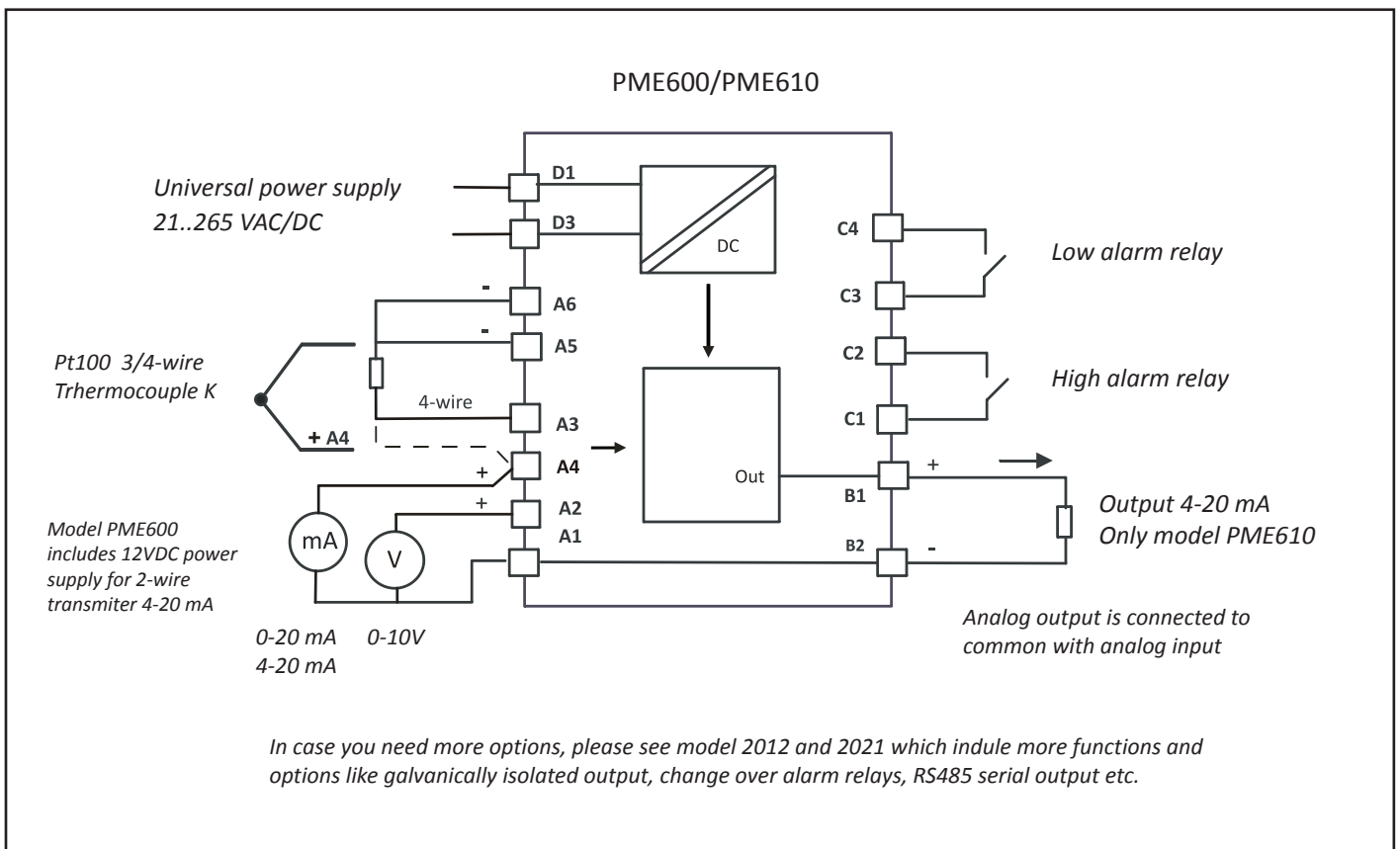


Place for engineering unit

The panelmeter PME600 series is designed especially for temperature sensors and for the most common process inputs. Low and high alarm relays are as standard. The model 600 includes power supply 12 VDC for two wire 4-20 mA transmitter and the 610 includes output 4-20 mA. The analog output 4-20 mA is not galvanic isolated from input signal and therefore it is suitable for those applications where input signal is isolated like Pt100 sensors.

The enclosure is only 65 mm deep and therefore it is suitable also for small enclosures. The panel meters are easy to configure by using buttons in the front panel.

There is only one power supply for wide voltage range covering the range of 21..265 AC or DC. This feature saves stocking and maintenance costs.



# Specifications:

**Process input:** 0..20 mA, 4..20 mA and 0..10V  
 Display range -999..+9999  
 Input resistance 70 ohm, connected only when power is on and mA-input is selected.  
 Accuracy: 0.05% % of span

**RTD input:** Pt100 (DIN)  
 Range: -200..+700°C  
 Sensor current: 0,3 mA  
 Accuracy: ±0.1 °C +0.05% of readings @25°C  
 Linearity: < 0,2°C (-100..600°C)  
 Temp. coeffient: <0,02°C/°C

**Thermocouple:** K type  
 Range: -150.... 1350°C  
 Linearity: ±0,3°C (-40...1200°C)  
 Accuracy: ±0,5 °C +0.1% of readings  
 Cold junction: < 0,04°C /°C  
 Line resistance effects: <10 Ohm, no effects  
 Sensor cut off: Up to over range

**mV-input:** -70...70 mV

**Output:** 4..20 mA (only PME610)  
 Max. load: 650 Ohm  
 Accuracy: 0.05 % of span @25°C  
 Range Scaleable

**Alarms:** Low and high alarms  
 Hysteresis: Adjustable (same for both of alarms)  
 Relays: 2 relays (low and high), closing contacts  
 Relay contacts: NC (open contact)  
 Relays: Max. 3 A, 250 VAC / 30 VDC (resistive load)

## General

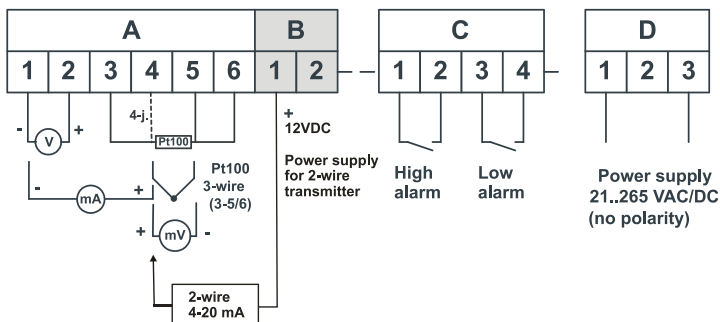
Input filter: Floating average of three samples  
 Sample speed: mV, V & mA: 8 samples/s  
 Pt100 & TcK: 3,4 samples/s  
 AD-converter: 24 bittiä  
 Alarm lights: In the front panel  
 Display: 4 digits, bright red LED  
 digit size 14,5 mm  
 Power supply: 21-265 VAC/DC  
 Front panel: IP65 with gasget  
 Operation temp.: -10..+60°C  
 Weigh: 146 g  
 EMC: CE marked

## Order code:

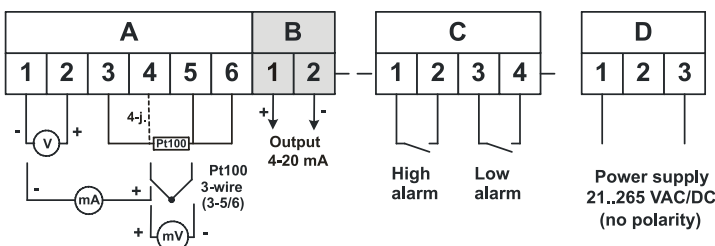
Special functions:  
 PM600 12 VDC power supply for transmitter  
 PM610 Output 4-20 mA

## Terminal connections:

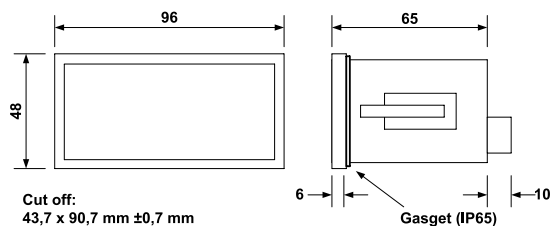
### PM600



### PM610 with output 4-20



## Dimensions:



CE