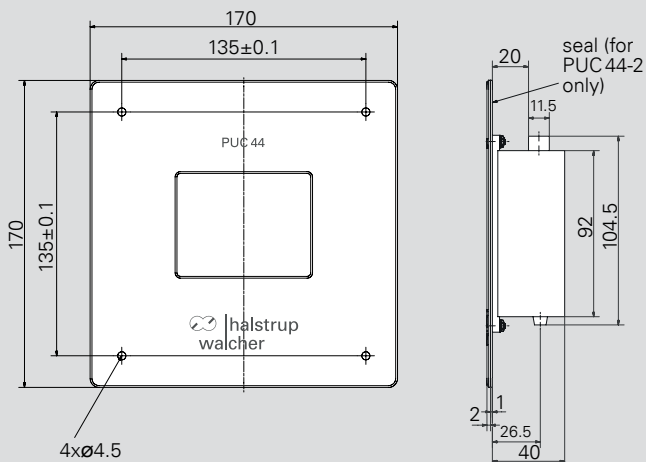


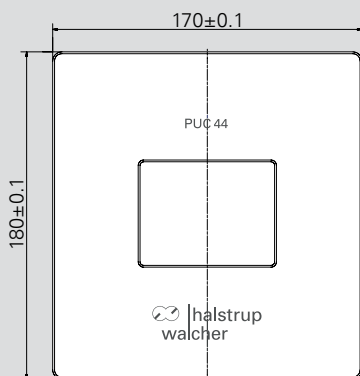


PUC 44 - 3

### PUC 44-1/2



### PUC 44-3<sup>2)</sup>



<sup>2)</sup> a side view and a technical drawing of the magnetic frame are available on request

Inputs (adjustable)	Up to four analogue inputs (4..20 mA, galvanically separated, Ra = 400 - 1750 Ω), without transmitter feed
Scaling (adjustable)	deactivated, linear or polygonal (max. 20 points)
Filter	deactivated or with dampening/ filter coefficient
Touch-display	TFT, coloured, 3.5", 320x240 px
Available views (adjustable)	Values, bar graph, curve chart, vector diagram
View change	manually or automatically
Time axis curve chart	19s/48s/95s/3min/6min/12min/30min/1h/2h/4h/8h/16h/24h/3d/7d
Alarm configuration (adjustable)	LoLo..Lo..Hi..HiHi for all channels Thresholds: Constant, lower threshold, upper threshold, hysteresis Timing: Delay ON/OFF, retention time ON/OFF acoustic collective alarm freely parameterisable
Alarm display (adjustable)	Deactivated, permanent, flashing (period, retention time, alarm source, texts/colours adjustable)
Languages (menu)	German, English, French, Italian, Spanish
Date and time	Time zone and summer time can be set
Brightness	20..40..60..80..100 %
Screen saver	Deactivated or after 1..5..10..30 min
Access protection	Password 6-digit (GAMP 5)
Current consumption	500 mA
Bus communication	Modbus RTU (RS 485-based) BACnet being prepared
Baud rate	1 200 bit/s to 115 200 bit/s
Connections	1x USB-host on the rear for transfer of configuration files, screw terminals for 4 analogue inputs, bus and supply
Power supply	24 VDC ± 5 %
Housing	Wall recessing
Protection class	IP65 (front side), IP20 (housing and terminals)

Housing type	A
Aluminium anodised	1
Stainless steel standard	2
Stainless steel with magnetic holder	3

Bus type / data interface	B
Modbus RTU	MB

Parameterisation	C
Customer-site	0
Factory-side <sup>1)</sup>	1

<sup>1)</sup> according to specified parameter list

Order code	A	B	C
PUC 44	-	-	-